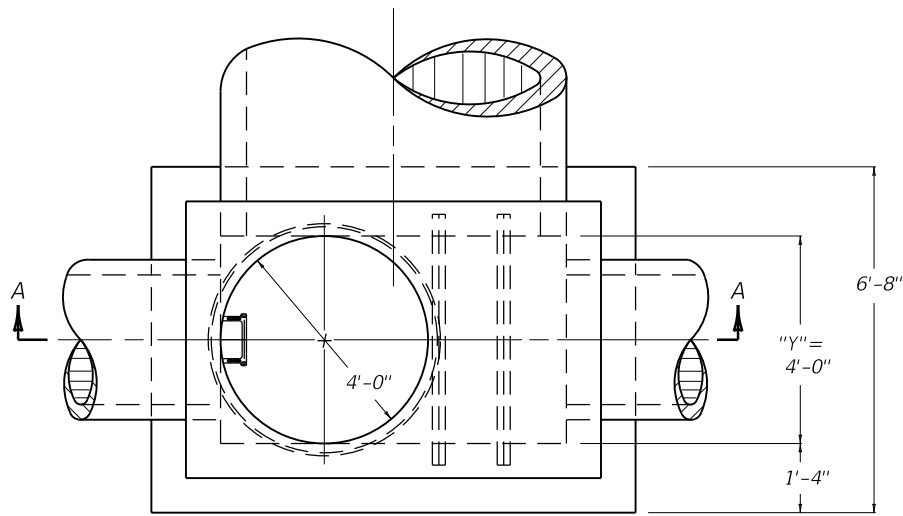


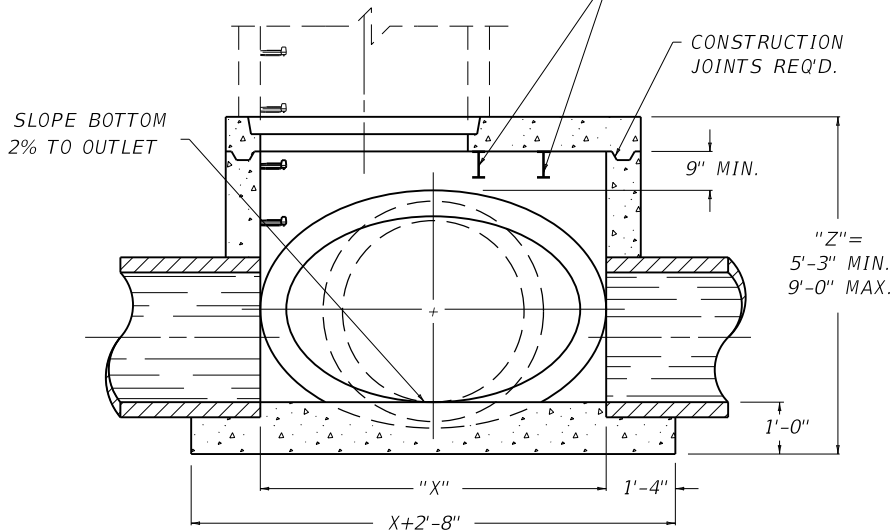
~ NOTES ~



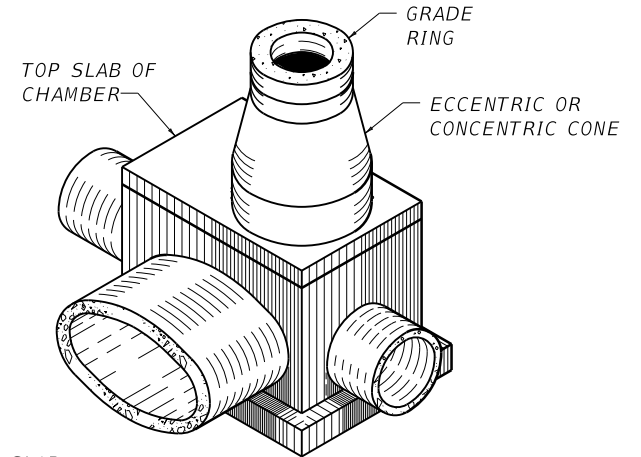
PLAN VIEW

- BID ITEM AND UNIT TO BID  
MANHOLE TYPE C EACH
- SEE CUR. STD. DWG. [RDM-105](#) FOR CASTINGS TO BE USED IN TRAFFIC AREAS AND CUR. STD. DWG. [RDM-100](#) FOR CASTINGS TO BE USED IN NON-TRAFFIC AREAS.
  - THE CHAMBER SHALL BE CONSTRUCTED OF CLASS "A" CONCRETE. USE CLASS "A" OR CLASS "B" TOWER AS HEIGHT DICTATES. THE CLASS "A" TOWER MAY BE CONSTRUCTED OF PRECAST CONCRETE PIPE SECTIONS OR CAST-IN-PLACE CONCRETE.
  - REINFORCEMENT USED IN THE CHAMBER SHALL BE REQUIRED WHEN THE MANHOLE HEIGHT EXCEEDS 8'-0".
  - ALL CHAMBER WALLS AND SLABS ARE 8" THICK, EXCEPT WHERE OTHERWISE SHOWN.
  - THE CHAMBER SHALL BE CONSTRUCTED AT RIGHT ANGLES TO THE CENTERLINE OF THE LARGEST INTERCEPTED PIPE.
  - THE CONTRACT UNIT PRICE BID FOR MANHOLE TYPE C SHALL INCLUDE ALL CONCRETE, STEEL REINFORCEMENT, STRUCTURAL STEEL, FRAME AND LID, TOWER, STEPS AND ALL INCIDENTALS NECESSARY TO COMPLETE THE STRUCTURE.
  - FOR CIRCULAR AND ELLIPTICAL PIPE SIZES OF 30" TO 72".
  - SEE CUR. STD. DWG. [RDM-055](#) FOR STEP TYPE, SPACING AND DETAILS.

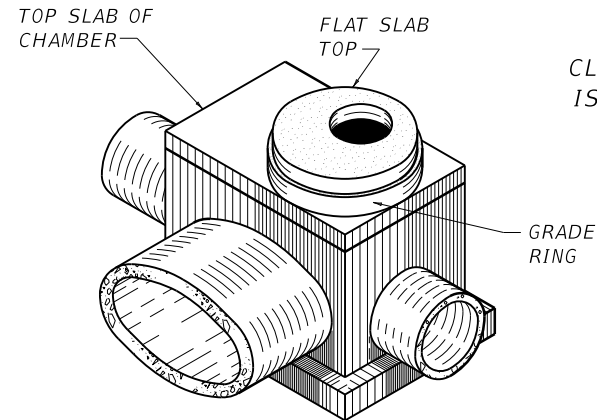
(TWO) GALV. W 6 x 9.0 REQUIRED WHEN X IS OVER 7'-0"  
(ONE) GALV. W 6 x 9.0 REQUIRED WHEN X IS OVER 4'-0"  
(EXTEND TO WITHIN 3" OF OUTSIDE FACE)



SECTION A-A



CLASS "A" TOWER ISOMETRIC VIEW



CLASS "B" TOWER ISOMETRIC VIEW

USE WITH CUR. STD. DWGS.  
[RDM-011](#) [RDM-012](#) [RDM-013](#)  
[RDM-055](#) [RDM-100](#) [RDM-105](#)

KENTUCKY  
DEPARTMENT OF HIGHWAYS

MANHOLE TYPE C  
(CHAMBER LAYOUT)

STANDARD DRAWING NO. RDM-010-06

SUBMITTED	<i>[Signature]</i>	12-01-15
DESIGNED BY	DATE OF DESIGN	DATE
APPROVED	<i>[Signature]</i>	12-01-15
	STATE HIGHWAY ENGINEER	DATE